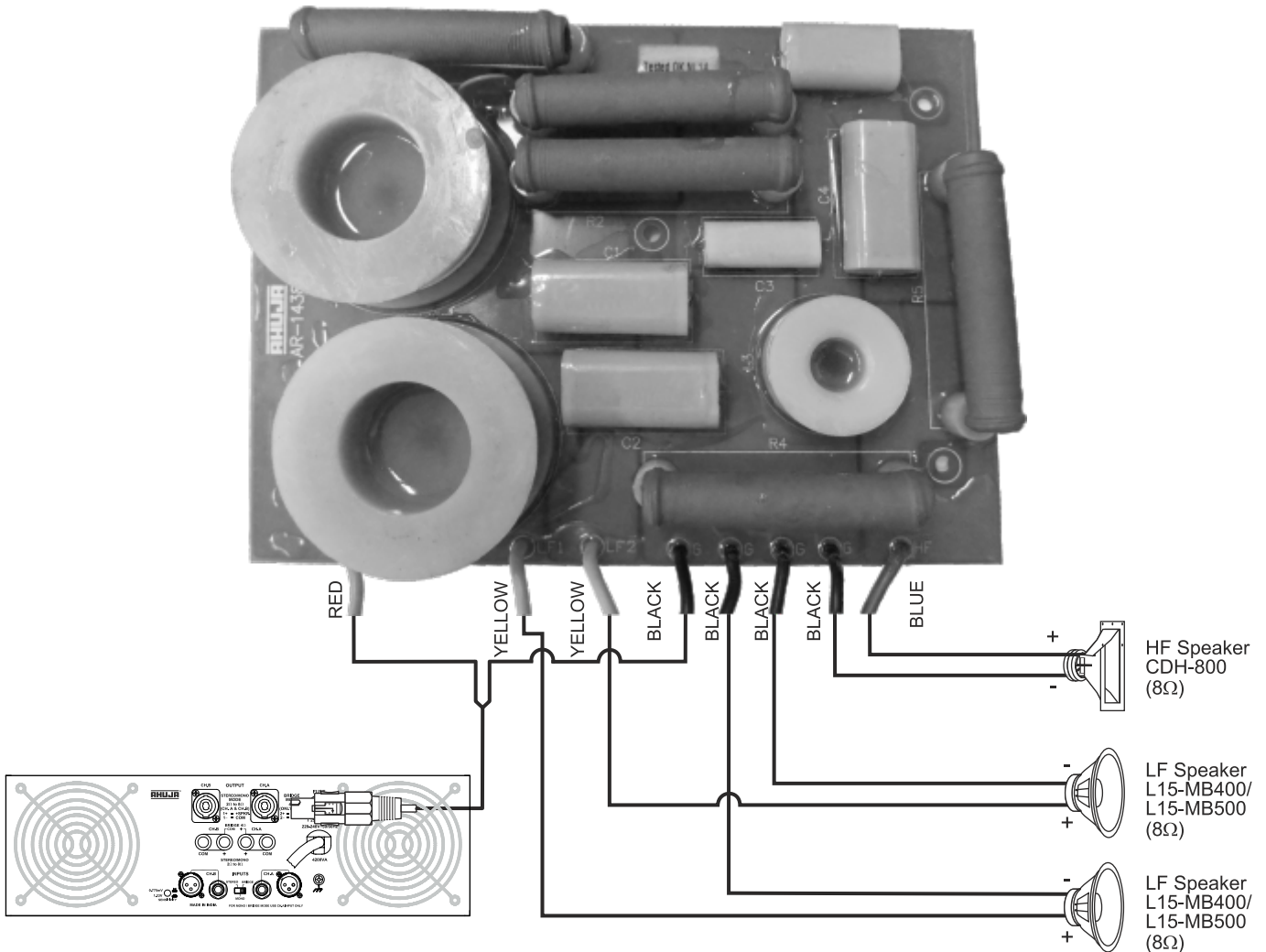


Professional Two-Way Passive Crossover Network using high quality metalised polyester capacitors and coils with low resistance/high power rating.

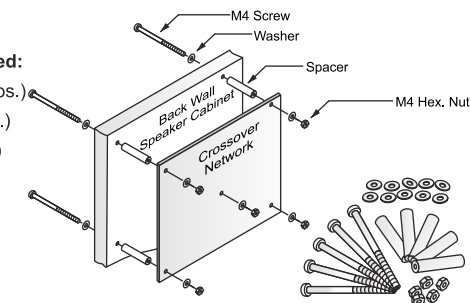
Recommended for use with: 2 nos. LF Speaker AHUJA model L15-MB400 or L15-MB500. and 1 no. HF Speaker AHUJA model CDH-800



Assembly

Hardware Provided:

- M4 Hex Nuts (5 Nos.)
- M4 Screws (5 Nos.)
- Washers (10 Nos.)
- Spacers (5 Nos.)



Specifications

C-1000/450	
Type	Two-way crossover
Power Capacity	1000W
Nominal Impedance	4Ω
Crossover Frequency	2.5kHz
Low Pass Filter Slope	12dB/Octave
High Pass Filter Slope	18dB/Octave with protection
Speaker Impedance	LF: 2 × 8Ω, HF: 1 × 8Ω
Dimension	W222 x H35 x D166 mm
Weight	1.1kg approx.

Design and Specifications are subject to change without notice owing to continuous product up-gradation. Technical specifications are subject to production tolerances. We cannot be held responsible for printing errors, should they occur. AHUJA is a registered trademark of Ahuja Radios in India and other countries. © Copyright Ahuja Radios, 2014. All rights reserved. Any unauthorized reproduction or use of logos, images or design elements is strictly prohibited by law. No part of this compilation may be reproduced in any manner or translated without written permission.