

SATATYA CIBR50MVL12CWP

5MP IR Bullet Camera with 2.7-13.5mm Lens



SATATYA CIBR50MVL12CWP
5MP IR Bullet Camera with 2.7-13.5mm Lens

Matrix Project Series IP Cameras are built using superior components such as Sony STARVIS sensor and higher MTF lens to offer unmatched image quality especially during the low light conditions. Powered by True WDR algorithm, these cameras offer consistent image quality even in highly varying lighting conditions. Built in intelligent analytics including Intrusion Detection, Trip Wire, etc. ensure real-time security. Moreover, H.265 compression and Automatic Motion based Frame Rate Reduction save bandwidth and storage up to 50%.

USP



SONY STARVIS
SENSOR



H.265



IVA



HIGHER FIELD
OF VIEW



SMART
STREAMING



ADAPTIVE
STREAMING



TRUE WDR



NAS

CERTIFICATION



Customer Care: 1800-258-7747

E-mail: Inquiry@MatrixComSec.com

www.MatrixVideoSurveillance.com

Made in India

SATATYA CIBR50MVL12CWP

5MP IR Bullet Camera with 2.7-13.5mm Lens



TECHNICAL SPECIFICATIONS	
IMAGE SENSOR	
Resolution	5 MP (2592 x 1944)
Sensor Type and Size	1/2.8" SONY - CMOS 5MP Active Pixel Progressive Scan, Back Illuminated Image sensor (EXMOR Technology - STARVIS Series)
LENS	
Minimum Illumination	Colour - 0.01 Lux @F1.2 (AGC ON) Monochrome - 0 Lux
Focal Length	2.7mm-13.5mm
Focus Range	0.3m to infinity
Field of View (FOV)	HFOV: 106° - 32° DFOV: 142° - 39° VFOV: 73° - 23°
Lens Mount	M14
Focus	Automatic focus
Aperture (F#)	F 1.4 – F 3.2
Iris Type	P Iris
IR Range	50m
IR Led Wavelength	850nm
IR Switching	Auto/ Manual
AUDIO INTERFACE	
Audio IN	1
Audio OUT	1
Two-way Audio	Supported
Audio Compression	G.726 and G.711
Alarm In	Yes
Alarm Out	Yes
HARDWARE SPECIFICATIONS	
SD Card	Up to 512GB
Camera Adjustment Angle	Pan: 0° to 180° Tilt: 0° to 180° Zoom: 0° to 360°
IMAGE AND VIDEO	
No of Stream Profiles	3
Stream Profiles	Profile 1: 2592X1944 @30fps (H.264/H.265) Profile 2: VGA @30fps (H.265/H.264) Profile 3: 2048x1536 @8fps (MJPEG)
Available Resolutions	2592x1944, 2592x1520, 2048x1536, 1920x1080, 720p, D1, 2CIF, VGA, CIF, QCIF

SATATYA CIBR50MVL12CWP

5MP IR Bullet Camera with 2.7-13.5mm Lens



Max Resolution	2592 x 1944
Bitrate	128kbps-16Mbps
Bitrate Type	CBR, VBR
Video Compression	H.265, H.264, MJPEG
Frame Rate	1-30fps
Shutter Speed	1/25-1/59000 s
Adaptive Streaming	Yes
ONVIF Profiles	S and G
Edge Recording	Yes
Alarm Recording	Pre and Post
Motion Recording	Yes
Video Parameters	Snapshot, Region of Interest (ROI), BLC, Day/Night Settings
Privacy Masks	3
WDR	True WDR (120dB)
SNR	73db
Image Enhancement	Saturation/Contrast/Sharpness/Brightness/Auto Exposure
DNR	2D &3D
Video Analytics	Motion/No Motion Detection, Tamper Detection, Trip/No Trip Detection, Object Intrusion/Zone Intrusion, Loitering, Missing/ Abandoned Object, Audio Exception, IP Conflict, Network Disconnect, Storage Full, Time Triggered, Alarm In, Object Counting
EVENTS AND ACTIONS	
Upload Image	SD, NAS, FTP
Upload Clip	SD, NAS, FTP
Notifications	E-mail, SMS, TCP
PROTOCOLS SUPPORTED	
Supported protocols	TCP/IP, HTTP, DHCP, DNS, DDNS, RTP, RTCP, RTSP, PPPOE, SMTP, NTP, HTTPS, TLS/SSL, FTP, ICMP, IGMP v2 & v3
Web Viewer	Supported in IE 8.0-11.0, Firefox 15.0-47.0, Chrome 20.0-54.0
Plugins	IE: Matrix ActiveX Chrome: VLC plugin (2.0.4) and Quicktime(7.7.5) Mozilla: VLC plugin (2.0.4) and Quicktime(7.7.5)
OPERATING PARAMETERS	
Power Supply	12V (DC); 802.3af (PoE)
Power Consumption	<8W
Operating Humidity	Less than 90% RH (non-condensing)
Operating Temperature	-20°C to 50°C
Storage Temperature	-20°C to 50°C

SATATYA CIBR50MVL12CWP

5MP IR Bullet Camera with 2.7-13.5mm Lens



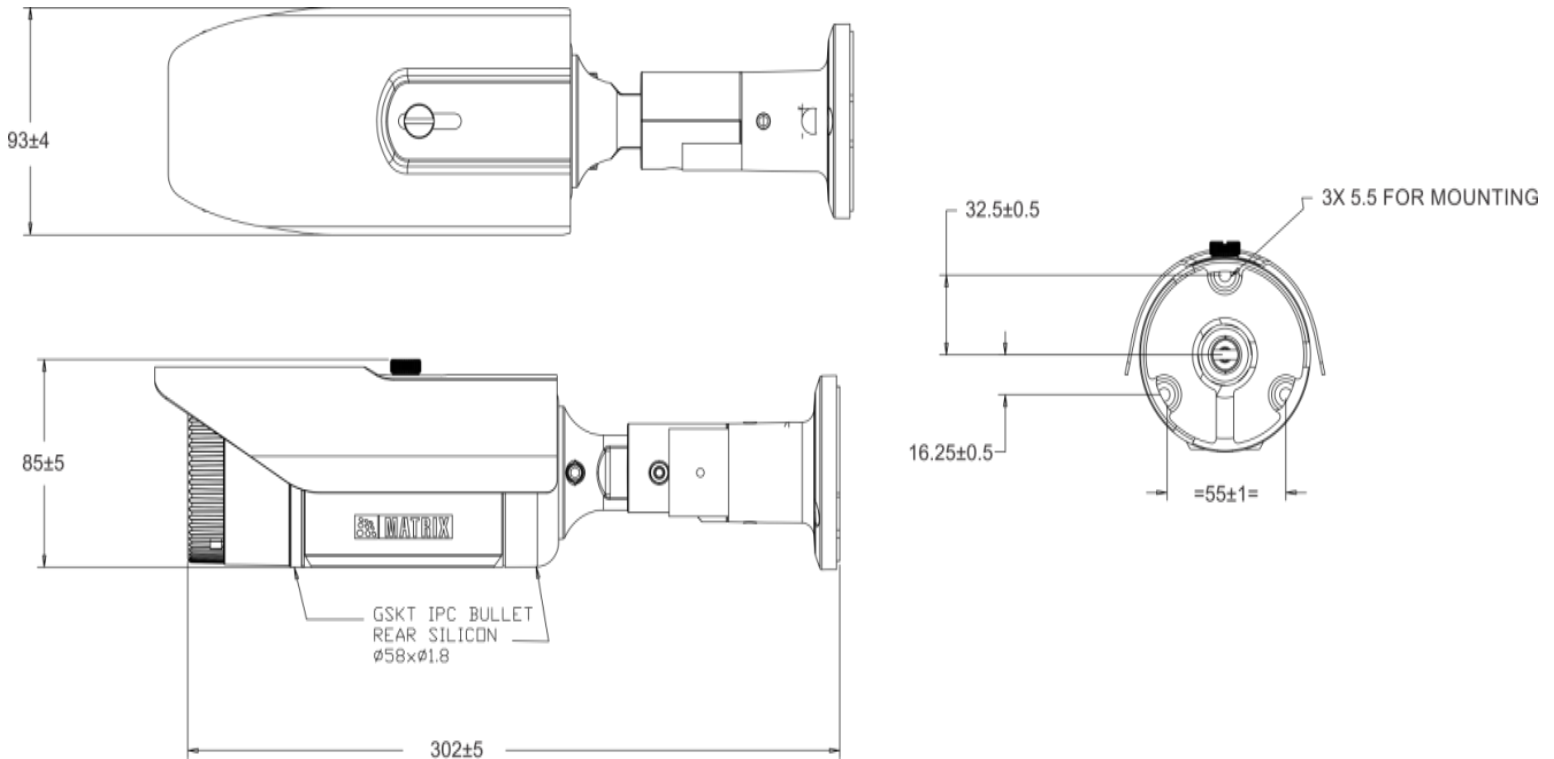
PHYSICAL PARAMETERS	
Communication interface	10Base-T/100BaseTX Ethernet (RJ-45)
Weight	880 gm
Colour	Pantone 7527C
Dimensions	301.6 x 84 x 92.5 (Length x Height x Width)
Storage	NAS, SD Card
Certifications	CE, FCC, ROHS, BIS, IP66, UL

SATATYA CIBR50MVL12CWP

5MP IR Bullet Camera with 2.7-13.5mm Lens



DIMENSIONS (in mm)



ABOUT MATRIX

Established in 1991, Matrix is a leader in security and telecom solutions for modern businesses and enterprises. Matrix, an innovative, technology driven and customer focused organization, is committed to keep pace with the revolutions in security and telecom industries. With more than 40% of its human resources dedicated to the development of new products, Matrix has launched cutting-edge products such as Unified Communications, IP-PBX, Universal Gateways, Convergence, VOIP Gateways, GSM Gateways, IP Video Surveillance, Access Control and Time-Attendance. These solutions are feature-rich, reliable and conform to the international standards. Having global footprints in Europe, North America, South America, Africa and Asia through an extensive network of more than 1000 system integrators, Matrix ensures that the products serve the needs of its customers faster and longer. Matrix has gained trust and admiration of customers representing the entire spectrum of industries. Matrix has won many national and international awards for its innovative products.

* Specifications are subject to change without prior notice.

Note: Certifications of SATATYA CIBR50MVL12CWP shall be available from March'20.